

ENFORCER CCD Mini Vandal Color Dome Camera Manual

TROUBLE SHOOTING

The screen is blank	<ul style="list-style-type: none">• Check that the dome camera is powered up.• Check that the monitor is powered up.• Check that the video cable connecting the camera to the monitor is connected properly.
The screen image is dim	<ul style="list-style-type: none">• Clean the lens with a soft, clean cloth or lens cleaning kit.• Check that the light source is adequate.
The screen image has poor contrast	<ul style="list-style-type: none">• Adjust the monitor's contrast.• Change the position of the camera.
The screen image flickers	<ul style="list-style-type: none">• Change the position of the camera.
The screen image is distorted	<ul style="list-style-type: none">• Change the position of the camera.
The camera case is hot	<ul style="list-style-type: none">• Check that the correct power supply is in use.
Night time image has spots	<ul style="list-style-type: none">• Check and adjust rubber piece which fits around the lens. Make sure it is flush against the dome.

IMPORTANT

Users and installers of this product are responsible for ensuring this product complies with all national, state, and local laws and statutes related to monitoring and recording audio and video signals. **SECO-LARM** will not be held responsible for the use of this product in violation of any current laws or statutes.

WARNING

● Stop using the camera if you see a malfunction like smoke or unusual heat, as it could cause fire or electric shock. Do not modify this device, as there are no field-serviceable components inside.

FCC COMPLIANCE STATEMENT

Information to the user: This equipment has been tested and found to comply with the limits for a Class A digital device, pursuant to Part 15 of the FCC rules. These limits are designed to provide reasonable protection against harmful interference when the equipment is operated in a commercial environment. This equipment generates, uses and can radiate radio frequency energy and, if not installed and used in accordance with the instruction manual, may cause harmful interference to radio communications. Operation of this equipment in a residential area is likely to cause harmful interference in which case the user will be required to correct the interference at his own expense.

WARRANTY: This SECO-LARM product is warranted against defects in material and workmanship while used in normal service for a period of one (1) year from the date of sale to the original consumer customer. SECO-LARM's obligation is limited to the repair or replacement of any defective part if the unit is returned, transportation prepaid, to SECO-LARM.

This Warranty is void if damage is caused by or attributed to acts of God, physical or electrical misuse or abuse, neglect, repair, or alteration, improper or abnormal usage, or faulty installation, or if for any other reason SECO-LARM determines that such equipment is not operating properly as a result of causes other than defects in material and workmanship.

The sole obligation of SECO-LARM, and the purchaser's exclusive remedy, shall be limited to replacement or repair only, at SECO-LARM's option. In no event shall SECO-LARM be liable for any special, collateral, incidental, or consequential personal or property damages of any kind to the purchaser or anyone else.

NOTICE

The information and specifications printed in this manual are current at the time of publication. However, the SECO-LARM policy is one of continual development and improvement. For this reason, SECO-LARM reserves the right to change specifications without notice. SECO-LARM is also not responsible for misprints or typographical errors.

Copyright © 2007 SECO-LARM U.S.A., Inc. All rights reserved. This material may not be reproduced or copied, in whole or in part, without the written permission of SECO-LARM.

SECO-LARM® U.S.A., Inc.

16842 Millikan Avenue, Irvine, CA 92606
Tel: 800-662-0800 / 949-261-2999 Fax: 949-261-7326

Website: www.seco-larm.com
E-mail: sales@seco-larm.com

File:DT/DTP/MiniVandalDomes.pmd
PITKW1

ENFORCER[®] Video

MANUAL

Mini Vandal Color Dome Cameras

Model Number	Built-in IR	Lens Size	Viewing* Angle
EV-122C-DVC3	Yes	3.6mm	92°
EV-122C-VWA3	No	3.6mm	92°

*All viewing angles are approximate



(EV-122C-DVC3 shown)

- With Multi-Axis Gimbal Bracket for wall or ceiling mounting
- Weatherproof

SLI[®]
SECO-LARM[®]

FC CE

Specifications

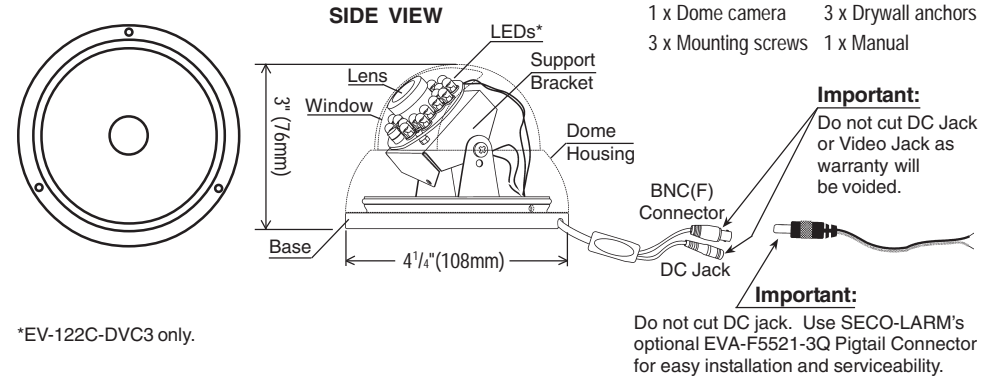
Model No.	EV-122C-DVC3	EV-122C-VWA3
Type	Mini IR Vandal Color Dome	Mini Vandal Color Dome
Chip	1/3" Sony CCD	1/3" Sony CCD
Resolution	420 TV Lines	420 TV Lines
Pickup Elements	510 x 492 (NTSC/EIA)	510 x 492 (NTSC/EIA)
Scanning System	2:1 interlace (V:59.94Hz, H:15.734KHz)	2:1 interlace (V:59.94Hz, H:15.734KHz)
Sync	Internal	Internal
Video Output	1V p-p, Composite @ 75 Ohms	1V p-p, Composite @ 75 Ohms
Lens	3.6mm / F2.0	3.6mm / F2.0
Viewing Angle*	92°	92°
Minimum Illumination	0.4 Lux (LED off) 0.0 Lux (LED on)	0.4 Lux
Gamma Correction	0.45	0.45
S/N ratio	>48dB	>48dB
Shutter Control	Auto 1/60 ~ 1/100000	Auto 1/60 ~ 1/100000
Backlight Compensation	Auto & Manual	Auto & Manual
Gain Control	Auto	Auto
White Balance	Automatic	Automatic
Enclosure	IP66 Weatherproof	IP66 Weatherproof
Number of IR LEDs	21	N/A
Maximum LED Range	Up to 50' (15m)	N/A
Power Source	12 VDC ±10%	12 VDC ±10%
Power Consumption	350mA	120mA
Operating temperature	14°-122° F (-10°-50° C)	14°-122° F (-10°-50° C)
Dimensions	4 1/4" X 3" (108 X 76 mm)	4 1/4" X 3" (108 X 76 mm)
Weight	0.9 lb. (405g)	0.8 lb. (365g)
Cable Length	24" (61 cm)	24" (61 cm)

* Viewing angles are approximate.

BEFORE STARTING

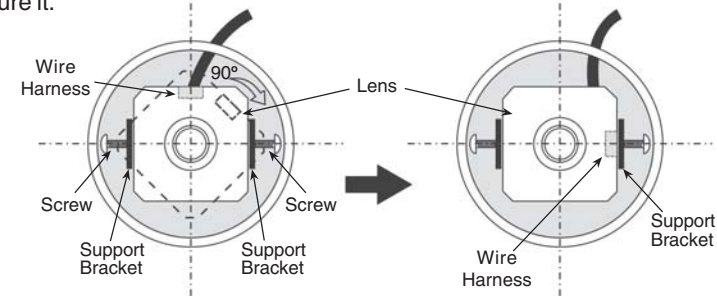
- Please read this manual carefully and keep it for future reference.
 - Use the camera within given temperature and electricity limits.
 - Do not aim the LED light directly at the eyes when the LEDs are on (EV-122C-DVC3 only).
 - Do not point the camera at the sun. Heat could damage the camera, even when not in use.
 - Do not mount the camera in areas exposed to radiation, strong magnetic fields, or strong electrical signals.*
 - Do not drop the camera or subject it to strong vibrations.
- * Note: Many video monitors produce strong electromagnetic fields close to the display CRT, especially when the monitor is turned on or during de-Gaussing, which occurs automatically with many monitors when the monitor is turned on.

Fig. 1 - Dimensions:



*EV-122C-DVC3 only.

Fig. 2 — For wall mounting. Remove the 2 screws and turn the lens 90° clockwise until the wire harness is adjacent to the support bracket, then replace the 2 screws to secure it.



Installation:

- Undo the 2 set screws on the sides of the dome housing, and remove the dome from the base.
- Remove the protective film from the inside of the dome cover.
- Temporarily connect the camera to a video monitor via the BNC connector. Connect the camera to a 12VDC power source.
- Hold the base of the dome camera with your hand against the ceiling or wherever you are going to mount the camera, and try various locations and angles while watching the video monitor to find the location which offers the best protection. Mark that location with a pencil.
Note: The ENFORCER dome camera is equipped with a multi-axis gimbal bracket which will make it applicable for both walls and ceilings.
- For wall-mounting applications. Take out the 2 screws and turn the lens 90° clockwise until the wire harness is adjacent to the mounting bracket. Replace the 2 screws to secure it. See Fig. 2.
- Run a hidden, permanent video cable and power supply cable to the mounting location. To protect the cables, use conduit.
- Connect the two cables to the dome camera.
Note: If the video and power cables must be surface-mounted, run the camera's cables through the notch in the base.
- Mount the base to the wall or ceiling at the selected location with the three mounting screws.
- Make any necessary adjustments to the horizontal and vertical angles of the camera itself while checking the image in the video monitor.
- Important:** For the EV-122C-DVC3 (IR version), make sure the rubber ring around the lens extends out far enough to make full and flush contact with the dome cover. This is done to reduce the possibility of night time image spots.
- Replace the dome, taking care not to touch the camera or scratch the dome.
- Test the camera again under the exact lighting conditions under which it is expected to be used.