

24 IR LED Bullet Cameras

EV-1026-N3SQ 3.6mm lens, 420 TV lines
EV-1606-N3SQ 3.6mm lens, 540 TV lines

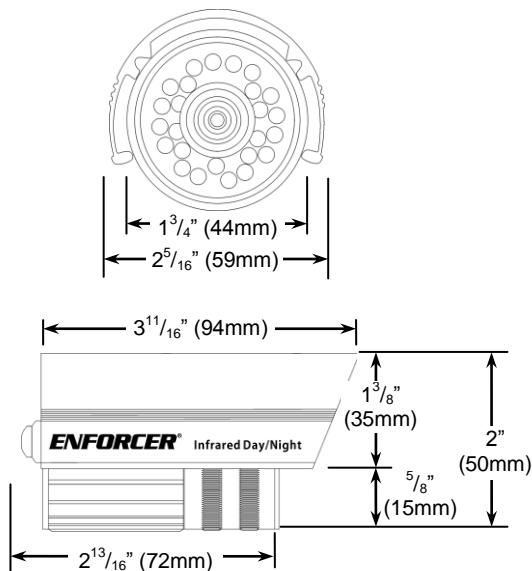
ENFORCER 24 IR LED Bullet Cameras have 24 IR LEDs with a 0-lux illumination rating allowing the camera to see in total darkness.

Features:

- ▶ 1/3" SONY Super HAD CCD
- ▶ 24 IR LEDs
- ▶ 0-lux with LEDs on
- ▶ 3.6mm lens (92° Viewing angle)
- ▶ 12VDC, 250mA (LEDs ON)
- ▶ IP 66 Weatherproof
- ▶ Up to 50ft (15m) range
- ▶ Split-glass technology to eliminate IR reflection
- ▶ Available with 420 or 540 TV lines



Dimensions:



1/3" SONY Super
HAD CCD



Available with 420
or 540 TV lines



24 IR LEDs



Split-glass
technology

ENFORCER[®] Video

Specifications:

	EV-1026-N3SQ	EV-1606-N3SQ
Type	IR bullet camera	
CCD	1/3" Sony Super HAD	
Resolution	420 TV lines	540 TV lines
Pickup elements	510x492 pixels	768x494 pixels
Sync	Internal	
Video output	1.0Vp-p composite video, 75Ω	
Video output format	NTSC*	
Lens size	3.6mm	
Viewing angle	92°	
Minimum illumination	0.05-lux (with LEDs off)	0.02-lux (with LEDs off)
	0-lux (with LEDs on)	0-lux (with LEDs on)
Gamma correction	0.45	
S/N ratio	>48dB	
Shutter control	Auto Electric Shutter (AES)	
Gain control	Auto	
IP rating	IP66	
# of infrared LEDs	24 (850nm)	
LED range	Up to 50ft (15m)	
Operating voltage	12VDC ±10%	
Current draw	70mA (LEDs off)	90mA (LEDs off)
	250mA (LEDs on)	250mA (LEDs on)
Operating temperature	-4°~122° F (-20°~50° C)	
Dimensions	3 ^{11/16} "x2 ^{5/16} "x2" (94x59x50 mm) with sunshield	
Weight	10-oz (280g)	

*PAL versions also available.

Also Available from SECO-LARM:

EVT-PB1Q



Passive Video Balun

PS-D1610-BUQ



High-Amp DC Power Supply

VC-1BAQ



BNC to VGA Converter

VM-101Q



CCTV Microphone

EVT-AB1Q



Active Video Balun

PH-A1612-PUQ



Rack Mount AC Power Supply

ST-LA110-TTQ



Voltage Converter

VA-1102B-WQ



Video Distributor
1-In, 2-Out

SECO-LARM[®]

16842 Millikan Avenue, Irvine CA 92606

Tel: 1-800-662-0800 (U.S. & Canada) Email: info@seco-larm.com Website: www.seco-larm.com

Tel: 1-949-261-2999 (California and International)

Fax: 1-949-261-7326



pi-EV-1xx6-NS3Q.docx